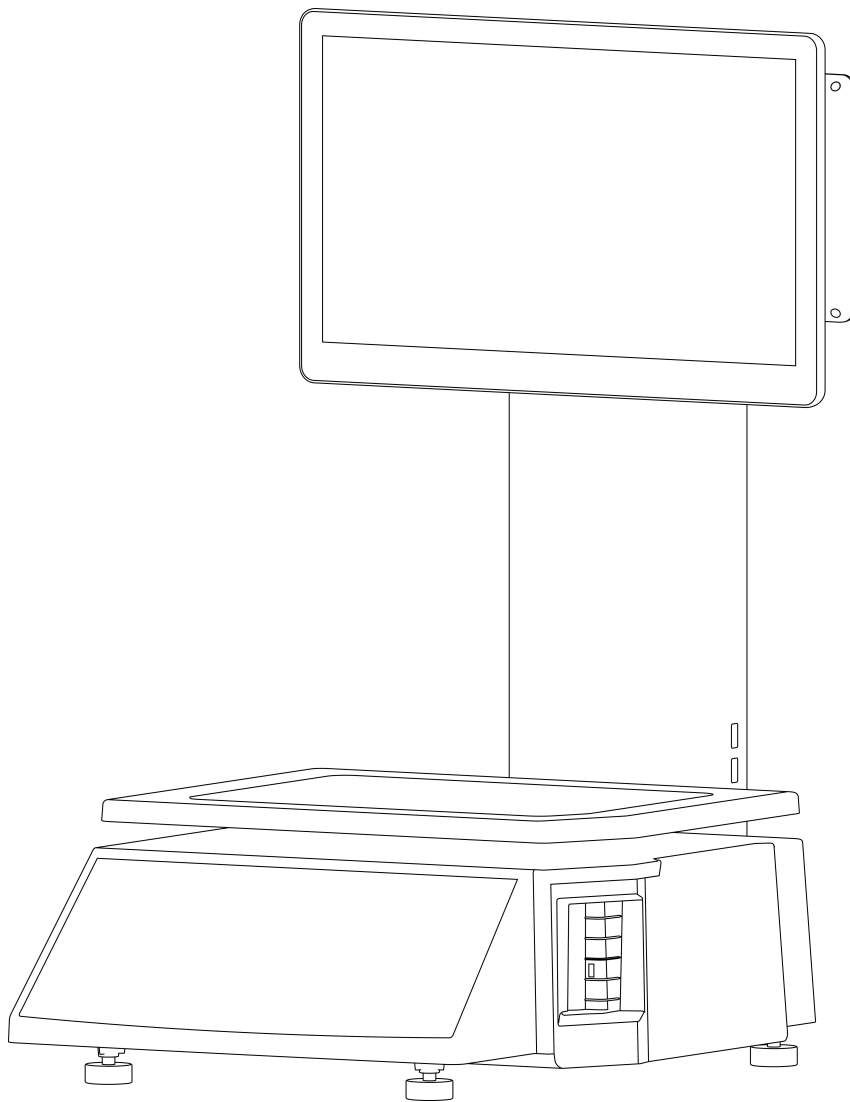


Electronic Touch Price Tag Scale





Contents

Introduction	2
1. Specification of Electronic touch price tag scale register	3
2. Standard configuration of Electronic touch price tag scale register	4
3. Electronic touch price tag scale installation steps	4
3.1 Assembly step	4
3.2 The installation of the thermal receipt paper	5
4. Overall Appearance	6
5. Common easy-to-use operations	7
5.1 Switch on and off	7
5.2 Power Connection	7
5.3 Communication Interface	8
5.4 Electronic touch price tag scale interface	8
6. Troubleshooting of Electronic touch price tag scale register	10
6.1 Crash or fail to start	10
6.2 The main display screen or customer display screen does not display or the display screen is blurred	10
6.3 The touch screen cannot be used or is not sensitive	10
6.4 Customer display screen does not display	10
6.5 Unable to weigh properly (please contact the After-sales Service) ...	10
7. Appendix Comparison Table of Gravitational Acceleration Corrected Value	11



Introduction

Thank you for choosing our Electronic Touch Price Tag Scale. In order to operate Electronic touch price tag scale correctly, User manual is detailed in function and operation method of Electronic Touch Price Tag Scale, which help user with doubt quickly when come up against mechanical fault .

Rongta research, develop, produce and sale the Electronic touch price tag scale independently, which is high-performance Electronic Touch Price Tag Scale. Electronic touch price tag scale is the best choice for user in label printing business line with fashion appearance, power function and high durable, which make Electronic touch price tag scale more popular in store ,fresh food supermarket and so on.

Note : this product information are subject to change without prior notice.

This information is for reference only. In addition to China's existing laws and regulations, the company does not undertake any due to the direct or indirect losses caused by use of this information.

The company reserves the final interpretation.

1. Specification of Electronic touch price tag scale register

- The Weighing range and accuracy:

Max weight: 15kg

Min weight: 40g

0kg to 6kg * 0.002kg (e=2g)

6kg to 15kg * 0.005kg (e= 5g)

- The accuracy grade: **III**

- Resolution

Input sensitivity: greater than or equal to 50 μ V/D

zero-point adjustment range: \pm 60mV

temperature coefficient: \pm 0.0012%CTYP

[Zero] \pm (0.2 μ V+0.0008% of Dead Load)/ $^{\circ}$ CTYP

Nonlinearity: 0.01%F.S.

A/D resolution: Max 30000 resolution

Display resolution: 1/3000

A/D conversion rate: 10 times/second

- Regular:

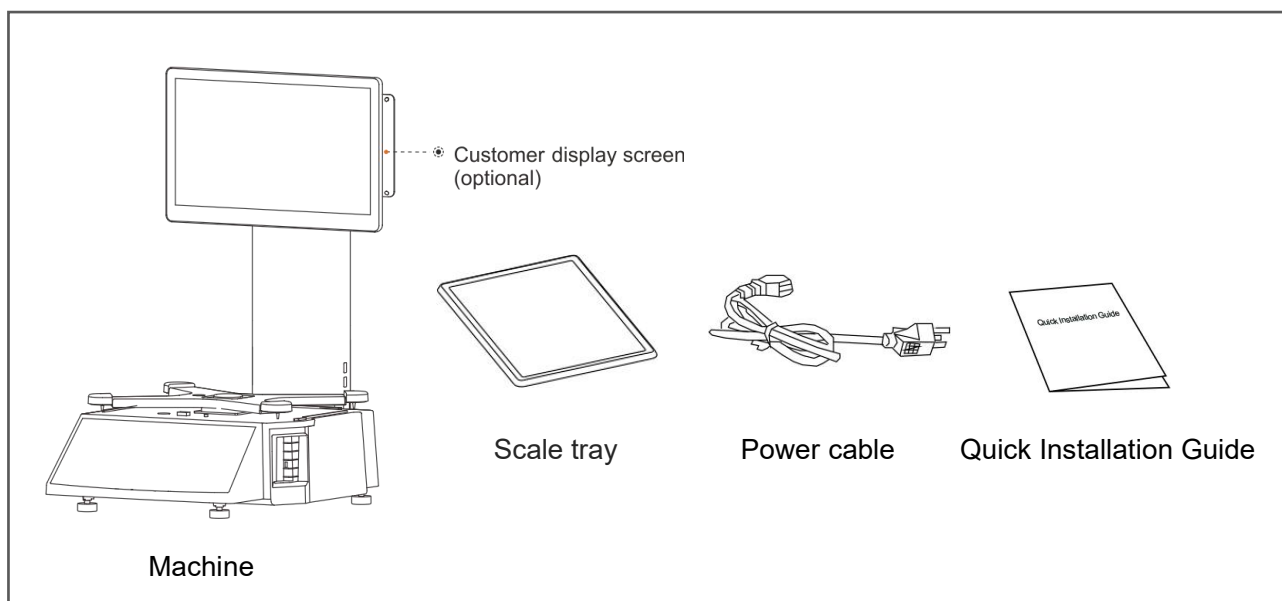
Power supply: AC100~240V, 50/60Hz

Power consumption: Printing 50W

operating temperature: 0 $^{\circ}$ C-40 $^{\circ}$ C

Physical appearance: 379.2 \times 535.8 \times 654.3mm

2. Standard configuration of Electronic touch price tag scale register

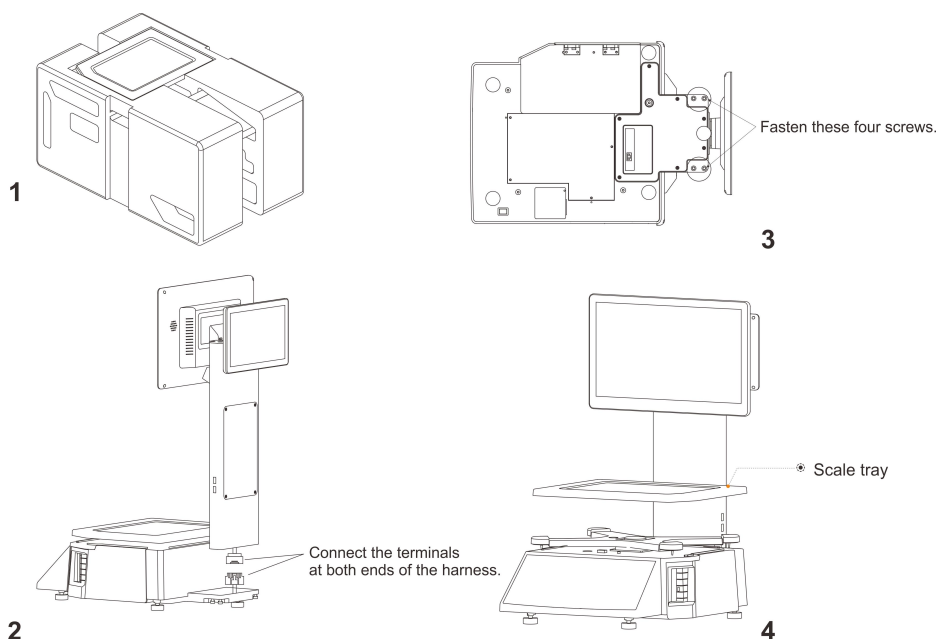


☺ The pictures are for reference only, please subject to practicality.

3. Electronic touch price tag scale installation steps

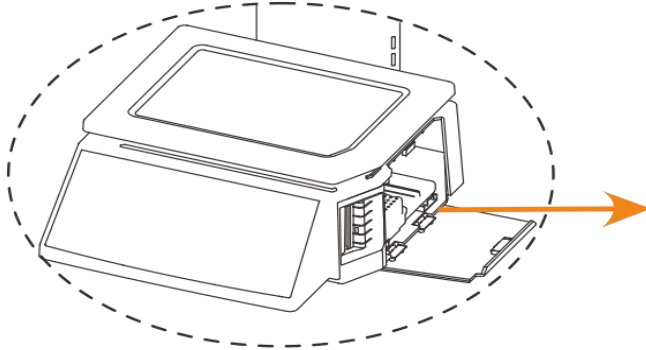
3.1 Assembly step

1. Open the carton and remove the protective cover.
2. Connect the display module terminal and the main body terminal.
3. Tighten the four screws at the bottom of the main body.
4. Place the machine on a solid level surface, adjust the four adjustable feet until the level bubble is in the middle, then place the weighing pan on the weighing pan bracket.

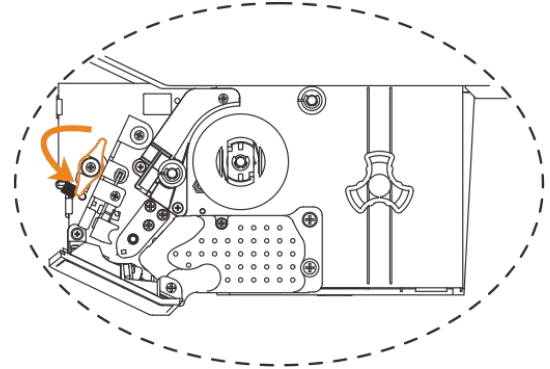


3.2 The installation of the thermal receipt paper

1. Open the side panel



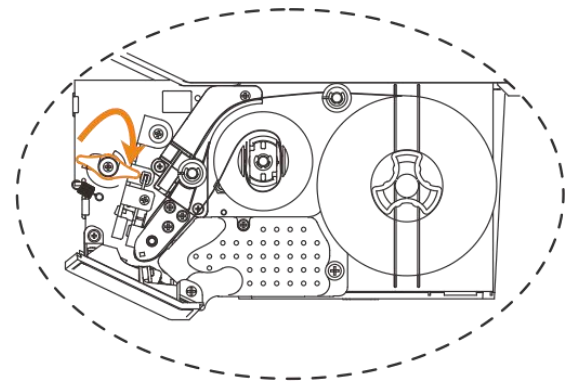
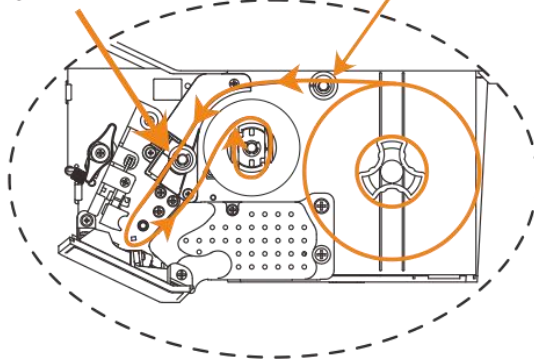
2. Take out the printer



3. Tear off the first few sheets of the label paper roll, roll the paper roll onto the recovery paper roll through the paper guide block, and then adjust the paper width adjustment block to a suitable position

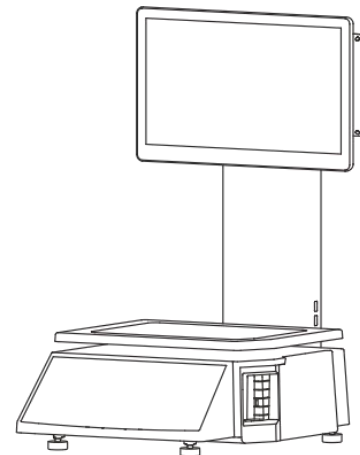
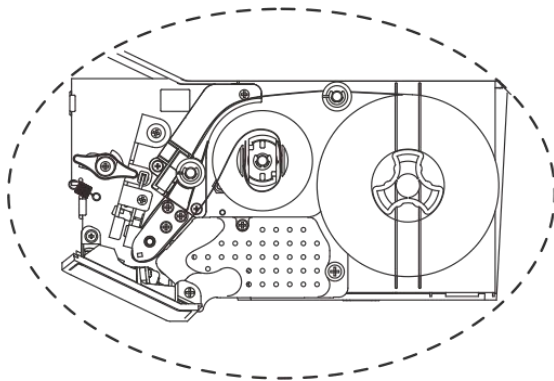
4. Close the printing head

Paper width adjustment block Paper width adjustment block



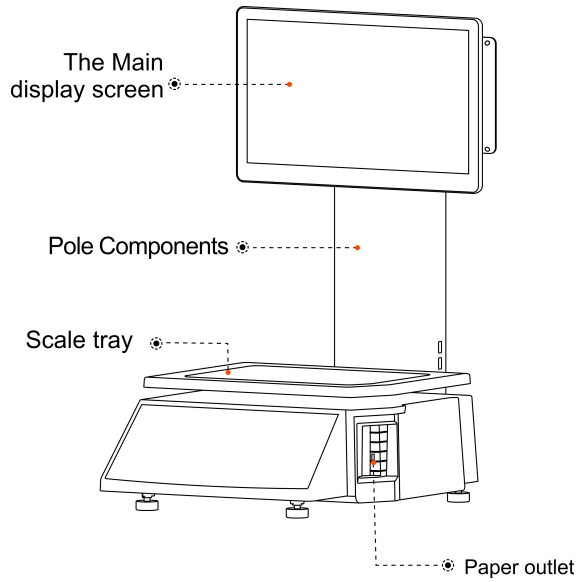
5. Tighten the label paper

6. Take the printer module and close the side cover

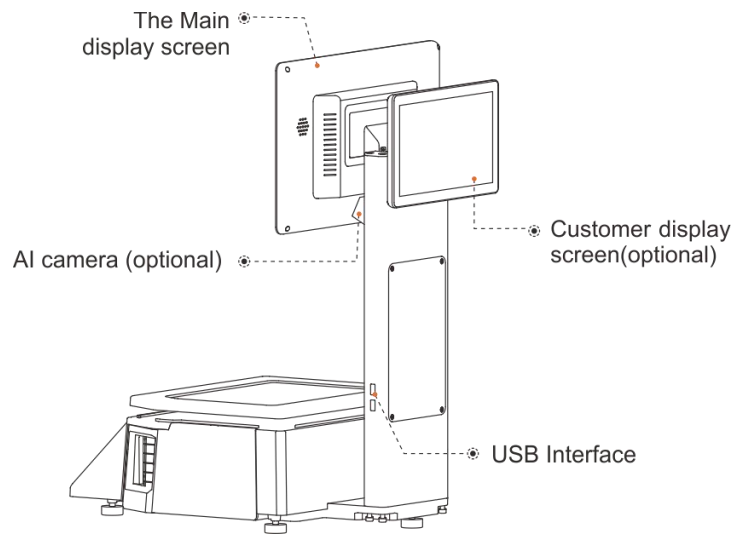


4. Overall Appearance

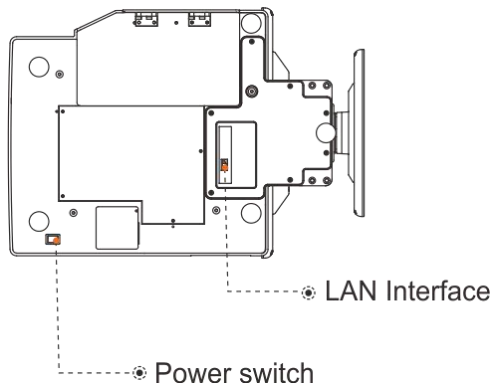
4.1 Front view



4.2 Rear view



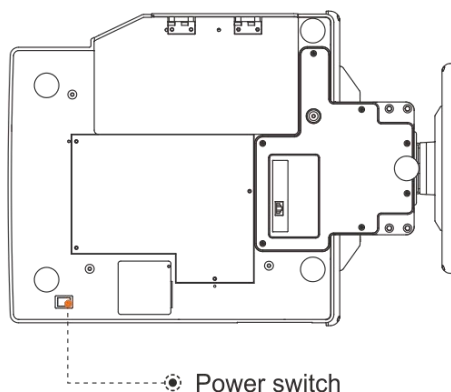
4.3 Bottom View



5. Common easy-to-use operations

5.1 Switch on and off

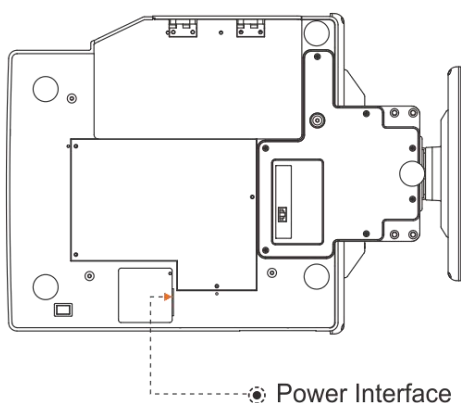
1. After the power is turned on, turn on the power "on/off" at the bottom of the label scale
2. After starting up and entering the system, the corresponding external device can be connected to the corresponding interface for use;
3. If turned on abnormally, the device can be handled in accordance with the exception handling description.



⚠ Attention: Under self-test situation, please do not press any button and make sure nothing is on the scale, otherwise it can't work normally

5.2 Power Connection

1. Plug the power cord into the power terminal equipment scale;
2. Connect the adapter to one end of the Power cord.





5.3 Communication Interface

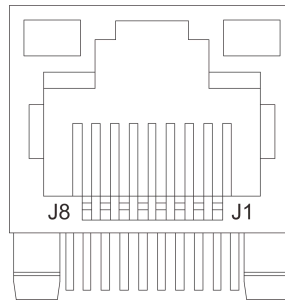
The factory communication interface of the product is fixed at COM2 and cannot be changed through other software. Communicating through other interfaces is also not supported.

5.4 Electronic touch price tag scale interface

5.4.1 Ethernet interface

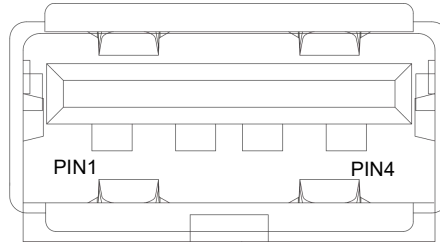
The Ethernet interface socket of Electronic touch price tag scale is standard RJ45-8P,

it supports 10M/100M network, and the transmission speed is adaptive.



Pin number	Description	Illustration
1	TX+	Send differential line+
2	TX-	Send differential line-
3	RX+	Receive differential line+
4	NC	No function
5	NC	No function
6	RX-	Receive differential line-
7	NC	No function
8	NC	No function

5.4.2 Electronic touch price tag scale USB interface



PIN	SIGNAL NAME
1	VBUS
2	D-
3	D+
4	GND

6. Troubleshooting of Electronic touch price tag scale register

6.1 Crash or fail to start

- Reasons: a. Power line and interface error.
b. Power board error/Main board error.

- Solutions: a. Re-plug the power cord or replace the power cord.
b. Turn on the power button, if the display is not bright, the power board is abnormal or the main board is abnormal

6.2 The main display screen or customer display screen does not display or the display screen is blurred

- Reasons: a. Screen line error
b. Poor contact of screen line connector
c. The display screen is damaged, or the main board is damaged

- Solutions: a. Reconnect the screen line aerial connector and confirm that the line sequence is correct
b. Re-plug the screen line connector
c. If it still fails, it may be caused by screen damage or main board damage

6.3 The touch screen cannot be used or is not sensitive

- Reasons: a. Display cable error.
b. Display driver error.

- Solutions: a. Reconnect the screen line aerial connector and confirm that the line sequence is correct
b. Reinstall the correct driver

6.4 Customer display screen does not display

- Reasons: a. Graphics card driver is not installed
b. BIOS settings are not compatible

- Solutions: a. Check if the display driver is installed
b. Contact manufacturer or supplier for repair

6.5 Unable to weigh properly (please contact the After-sales Service)

Reasons: The main board or AD board fails, sensor fails, or CRC check fails.

Solutions: Please contact with us, we will provide you new version AD board program or weighing software.

6.6 Printer exception prompt

Buzzer alarm (Common)	2 Sounds	Printer mechanism error
	3 Sounds	Paper shortage error
	5 Sounds	Overheating error
	6 Sounds	Cover opening error
	7 Sounds	Seam label error

7. Appendix Comparison Table of Gravitational Acceleration Corrected Value

COUNTRY	CITY	G(m/sec ²)	COUNTRY	CITY	G(m/sec ²)
Greece	Athens	9.800	Scotland	Glasgow	9.816
South	Cape town	9.796	Spain	Madrid	9.800
Netherland	Amsterdam	9.813	Singapore	Singapore	9.781
Norway	Oslo	9.815	Argentina	Buenos Aires	9.797
New	Auckland,NZ	9.799	United	London,Greenw	9.812
New	Wellington,NZ	9.801	Australia	Melbourne	9.800
Taiwan	Taichung	9.789	Australia	Sydney	9.797
Taiwan	Taiwan	9.788	Italy	Milano	9.806
Taiwan	Taipei	9.790	Italy	Rome	9.803
Denmark	Copenhagen	9.815	India	Calcutta	9.788
Germany	Fankfurt	9.810	Japan	Tokyo	9.798
Mexico	Mexico City	9.779	Canada	Ottawa	9.806
U.S.A	Birmingham	9.813	Canada	Vancouver,BC	9.809
U.S.A	Chicago	9.803	Cuba	Havana	9.788
U.S.A	Los Angles	9.796	Kuwait	Kuwait	9.795
U.S.A	New York	9.802	Cyprus	Nicosia	9.797
U.S.A	San Francisco	9.800	Thailand	Bangkok	9.783
U.S.A	Washington,DC	9.784	Portugal	Lisbon	9.801
Belgium	Brussels	9.811	France	Paris	9.809
Brazil	Rio de Janeiro	9.786	Finland	Helsinki	9.819
Sweden	Stockholm	9.818	Philippines	Manila	9.784
Switzerlan	Zurich	9.807			
COUNTRY	CITY	G(m/sec ²)	COUNTRY	CITY	G(m/sec ²)
Greece	Athens	9.800	Scotland	Glasgow	9.816
South	Cape town	9.796	Spain	Madrid	9.800
Netherland	Amsterdam	9.813	Singapore	Singapore	9.781
Norway	Oslo	9.815	Argentina	Buenos Aires	9.797
New	Auckland,NZ	9.799	United	London,Greenw	9.812
New	Wellington,NZ	9.801	Australia	Melbourne	9.800
Taiwan	Taichung	9.789	Australia	Sydney	9.797
Taiwan	Taiwan	9.788	Italy	Milano	9.806
Taiwan	Taipei	9.790	Italy	Rome	9.803
Denmark	Copenhagen	9.815	India	Calcutta	9.788
Germany	Frankfurt	9.810	Japan	Tokyo	9.798
Mexico	Mexico City	9.779	Canada	Ottawa	9.806
U.S.A	Birmingham	9.813	Canada	Vancouver,BC	9.809
U.S.A	Chicago	9.803	Cuba	Havana	9.788

- It should be handled by person in our company or dealers if want to adjust acceleration of gravity



Rongta Technology (Xiamen) Group Co., Ltd.

ADD: No.88, Tonghui South Road, Tongan, Xiamen, China.

WEB: www.rongtatech.com

TEL: 0086-592-5666129 FAX: 0086-592-5659169

